

# PLAYERBOARD CUSTOMIZER - SIDE #1



# PLAYERBOARD CUSTOMIZER - SIDE #2

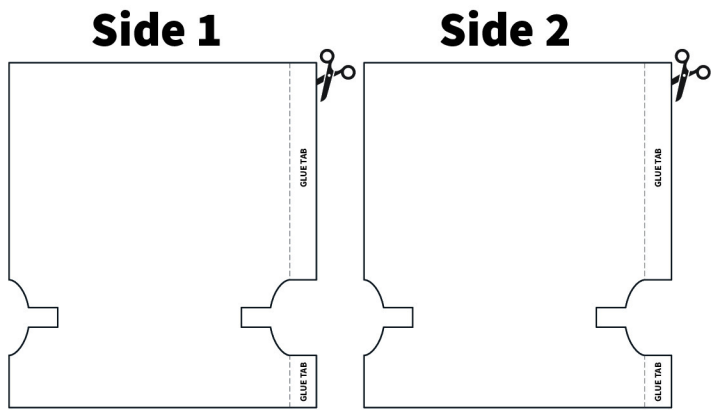


**RABBIT THE VIOLET**

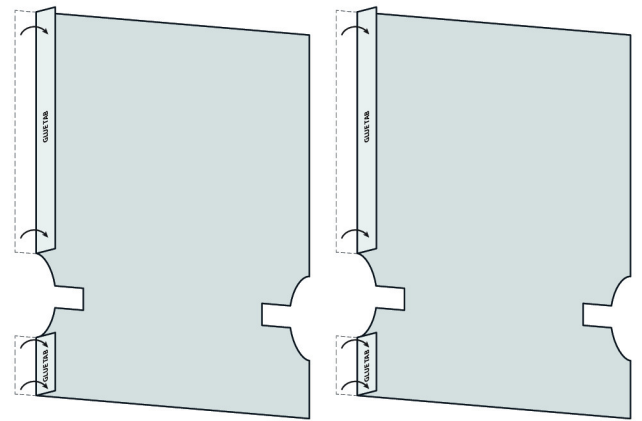


Spend 5 Shadow Energy to deal 5 DMG to a Hex tile in range.

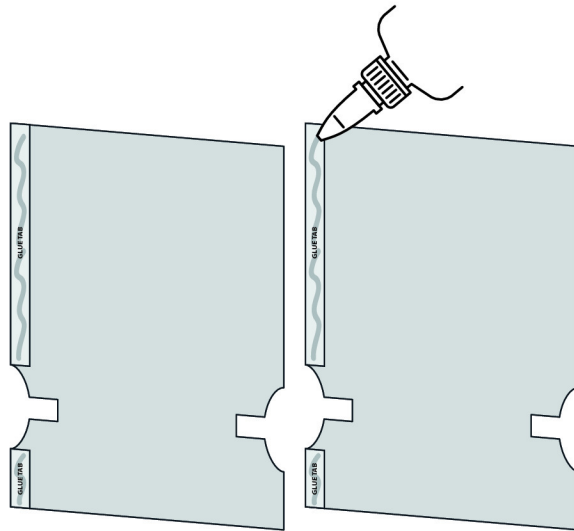
# PLAYERBOARD CUSTOMIZER - ASSEMBLY INSTRUCTIONS



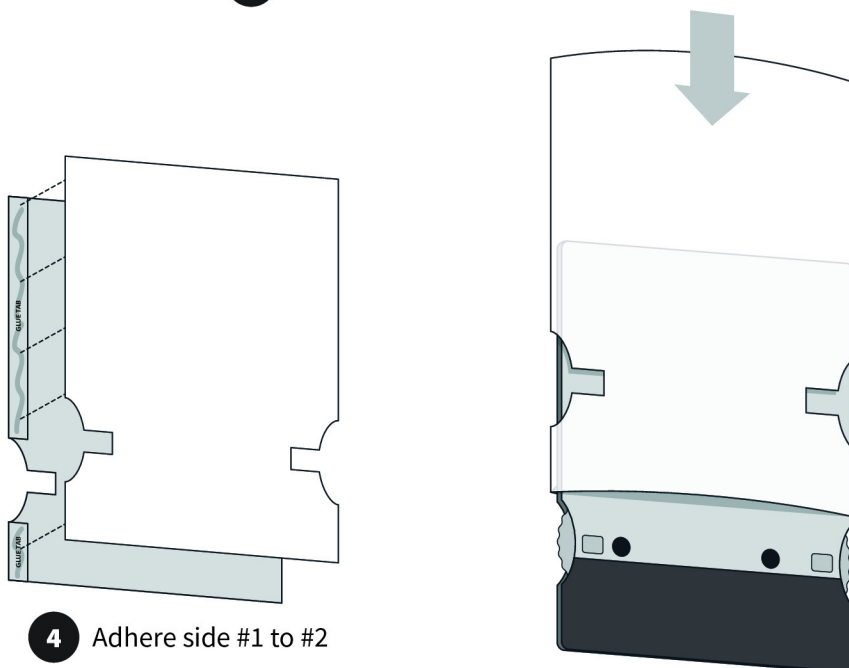
1 Cut along dotted lines



2 Fold glue tabs



3 Apply glue along tabs



4 Adhere side #1 to #2

5 Slip sleeve over playerboard